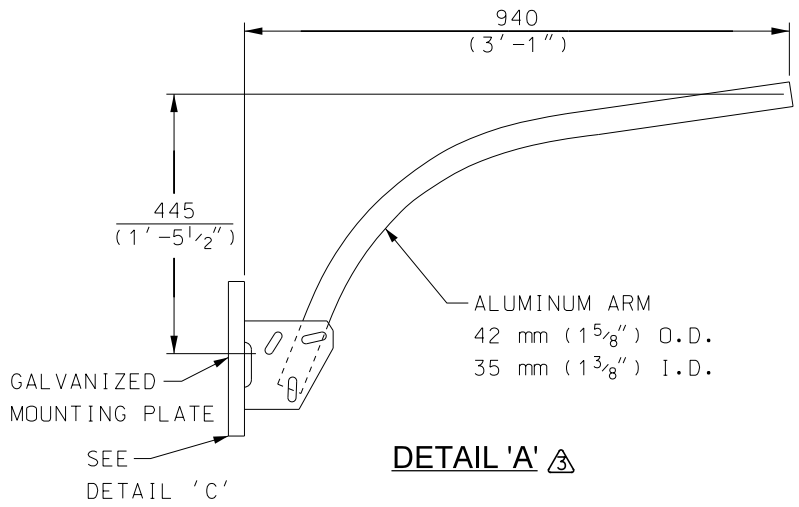


DETAIL 'B' ⚠



DETAIL 'A' ⚠

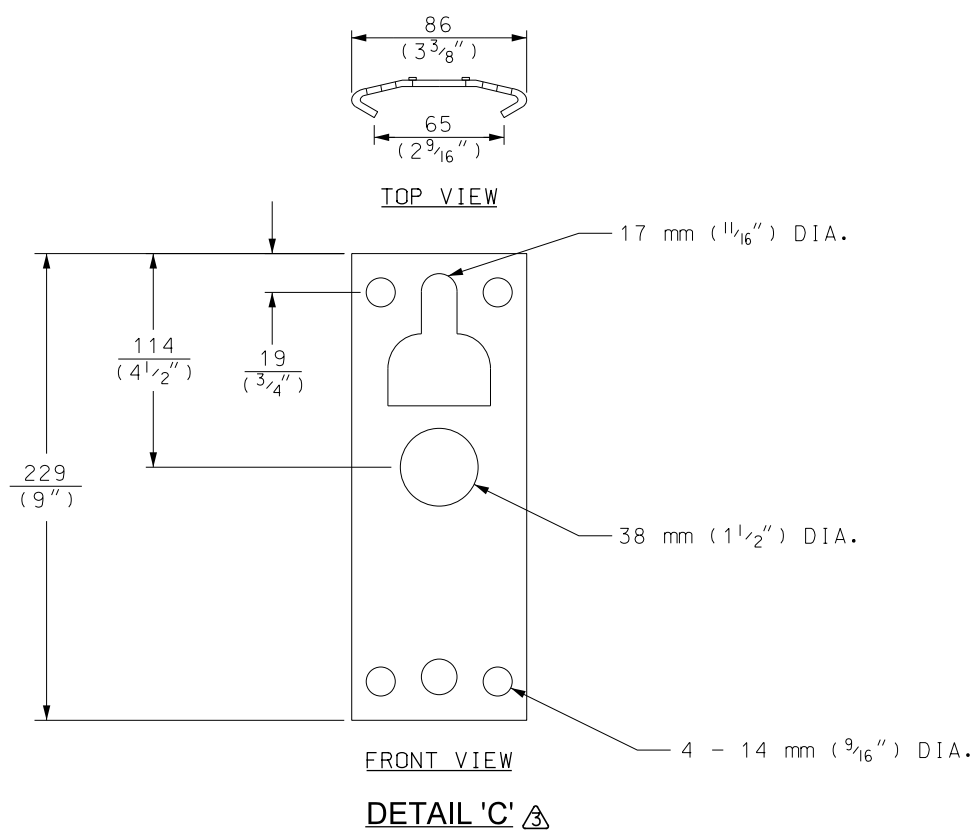
NOTES: ⚠

- 1) BRACKET WEIGHT 9 lbs (4 kg).
- 2) MAXIMUM ALLOWABLE LOADING: DEAD LOAD 50 lbs (22.7 kg), EPA 2 sq.ft (0.19 sq.m).
- 3) THE BRACKET CAN ACCOMMODATE EITHER ACORN OR COBRA HEAD LUMINAIRE.

DISTRIBUTION CONSTRUCTION STANDARD
Street Lighting

**LANEWAY LIGHTING BRACKET
ACORN OR COBRA HEAD LUMINAIRE
ON WOOD POLE** ⚠

	Approved By: J.D. 2016-07-26		Original Issue: L.G. 2001-01-05		Scale: N.T.S.	Rev: 3	30-9100	1/2
	Drafted By: D.C.	Designed By: J.D./E.H.						



BOM LEGEND	
A	COBRA HEAD
B	ACORN



BILL OF MATERIALS FOR 30-9100				
ITEM NO.	DESCRIPTION	ITEM I.D.	QTY	
			A	B
1	BRACKET ALUMINUM 1 5/8" O.D.	7900022	1	1
2	LAG SCREW 5/8" X 5"	2550030	1	1
OPEN BIN MATERIALS				
3	BOLT MACHINE 5/8" X 12" C/W SQUARE HEAD AND NUT	2510190	1	1
4	WASHER CURVED 2" X 2" FOR 5/8" BOLT	2530020	1	1
5	WASHER 2" X 2" FOR 5/8" BOLT	2530003	2	2
ASSOCIATED STANDARDS				
6	COBRA HEAD LUMINAIRE SELECTION TABLE	STD.30-1110	1	-
7	ACORN LUMINAIRE SELECTION TABLE	STD.30-1120	-	1
8	O/ZH SUPPLY TO POLE-MOUNTED LUMINAIRE	STD.30-3600	1	1

DISTRIBUTION CONSTRUCTION STANDARD Street Lighting		LANEWAY LIGHTING BRACKET ACORN OR COBRA HEAD LUMINAIRE ON WOOD POLE						
	Approved By: J.D. 2016-07-26	Original Issue: L.G. 2001-01-05			Scale: N.T.S.	Rev: 3	30-9100	2/2
	Drafted By: D.C.				Designed By: J.D./E.H.			