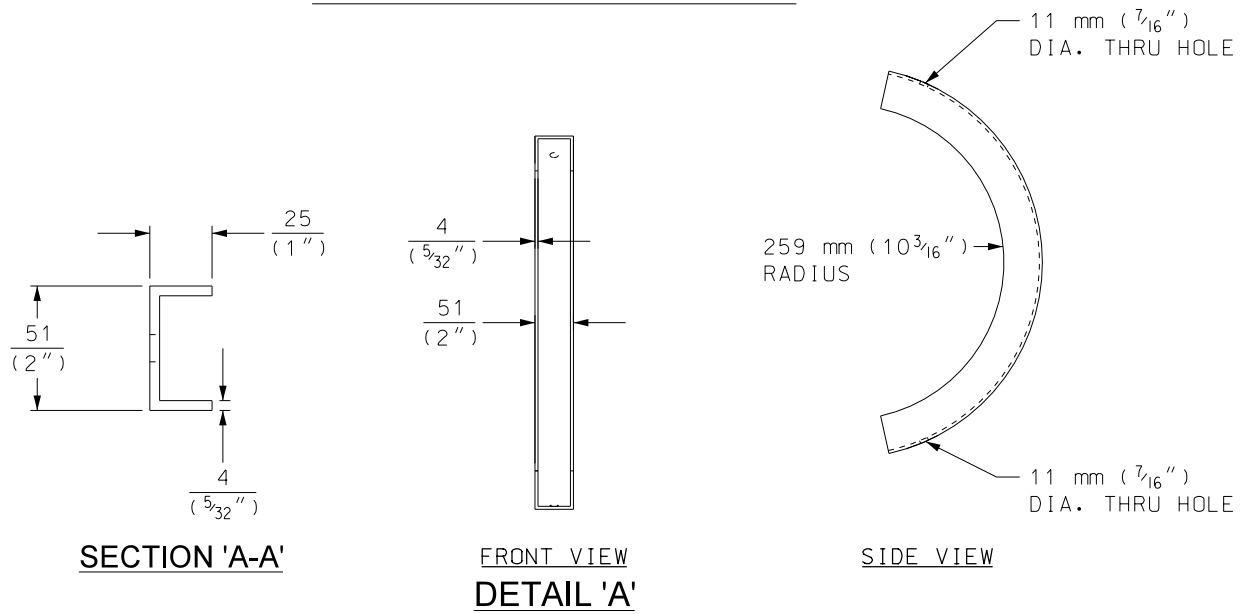


ACORN LUMINAIRE BRACKET



DISTRIBUTION CONSTRUCTION STANDARD
Street Lighting

STREET LIGHTING BRACKETS

DETAILS



Approved By:
J.D. 2016-08-29

Drafted By:
B.W.

Designed By:
J.D.

Original Issue:

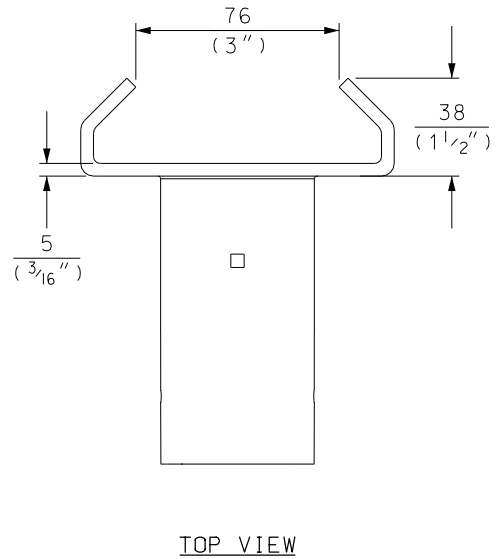
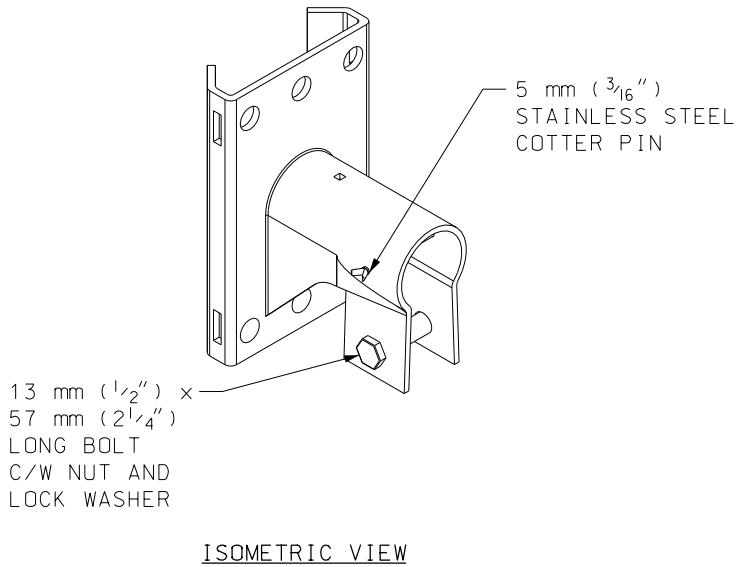
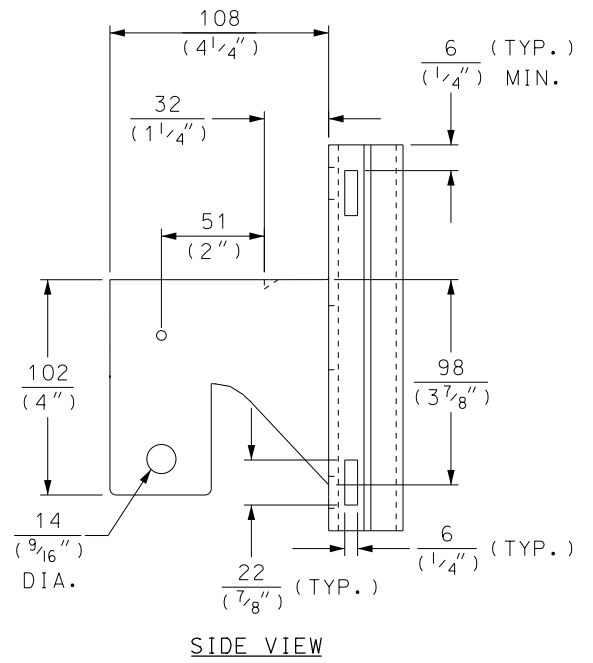
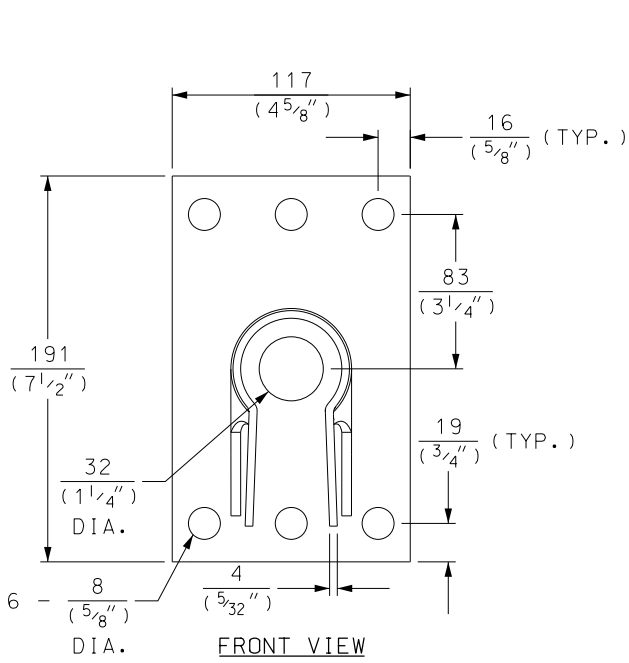
Scale:
N.T.S.

Rev:

0

30-1600

1/4



DETAIL 'B'

DISTRIBUTION CONSTRUCTION STANDARD
Street Lighting

STREET LIGHTING BRACKETS

DETAILS



Approved By:
J. D. 2016-08-29

Drafted By:
B. W.

Designed By:
J. D.

Original Issue:

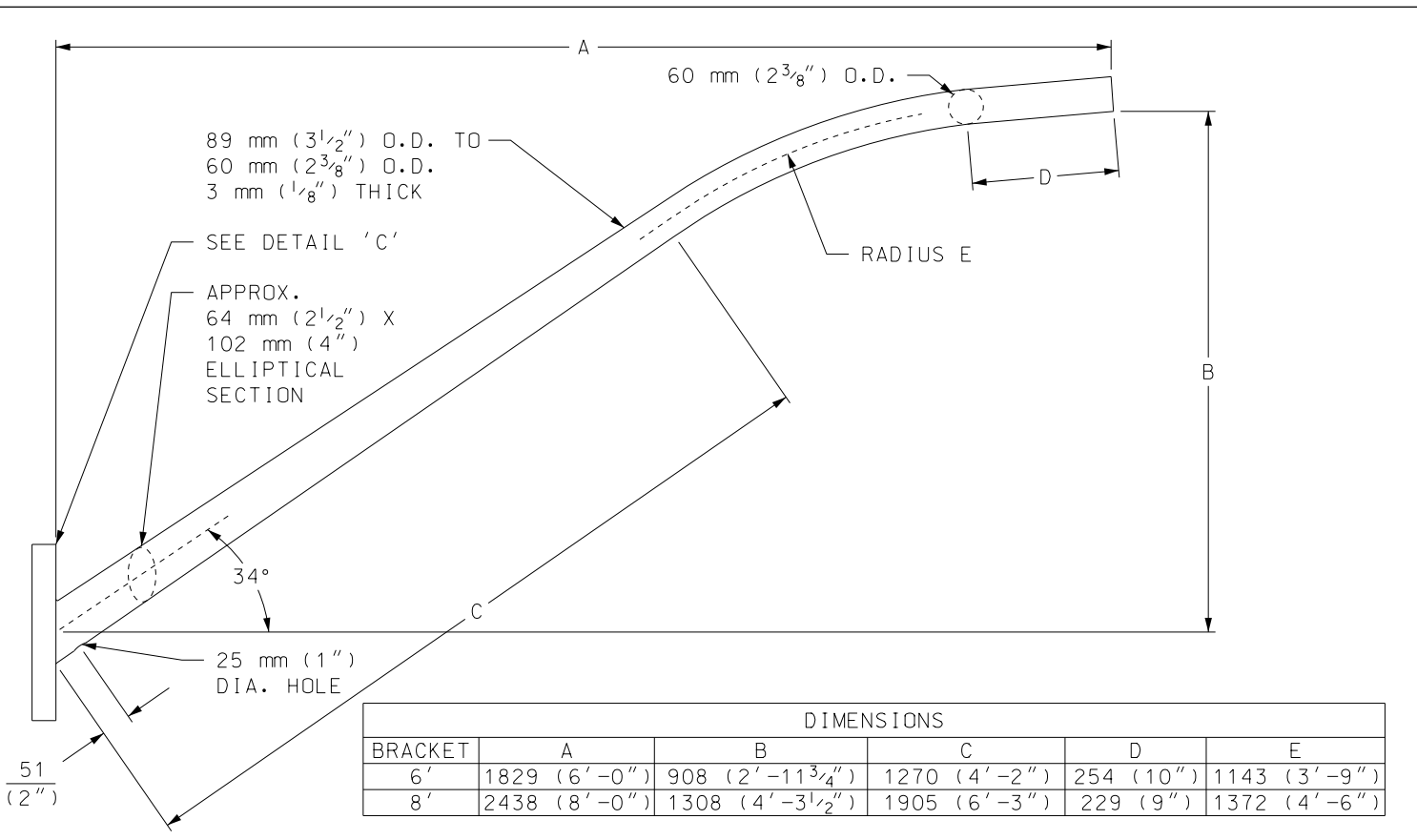
Scale:
N. T. S.

Rev:

0

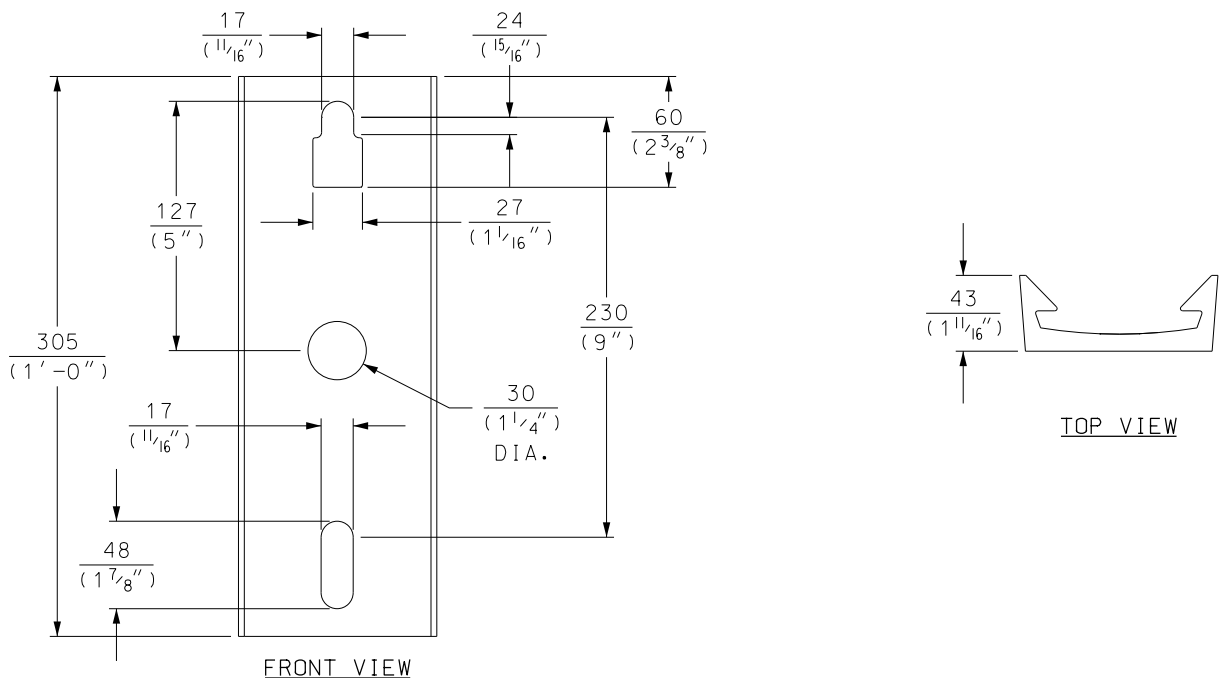
30-1600

2/4



DIMENSIONS					
BRACKET	A	B	C	D	E
6'	1829 (6'-0")	908 (2'-11 3/4")	1270 (4'-2")	254 (10")	1143 (3'-9")
8'	2438 (8'-0")	1308 (4'-3 1/2")	1905 (6'-3")	229 (9")	1372 (4'-6")

COBRA HEAD LUMINAIRE BRACKETS WITH 6' OR 8' REACH



DETAIL 'C'

DISTRIBUTION CONSTRUCTION STANDARD
Street Lighting

STREET LIGHTING BRACKETS

DETAILS



Approved By:
J. D. 2016-08-29
Drafted By:
B. W.
Designed By:
J. D.

Original Issue:

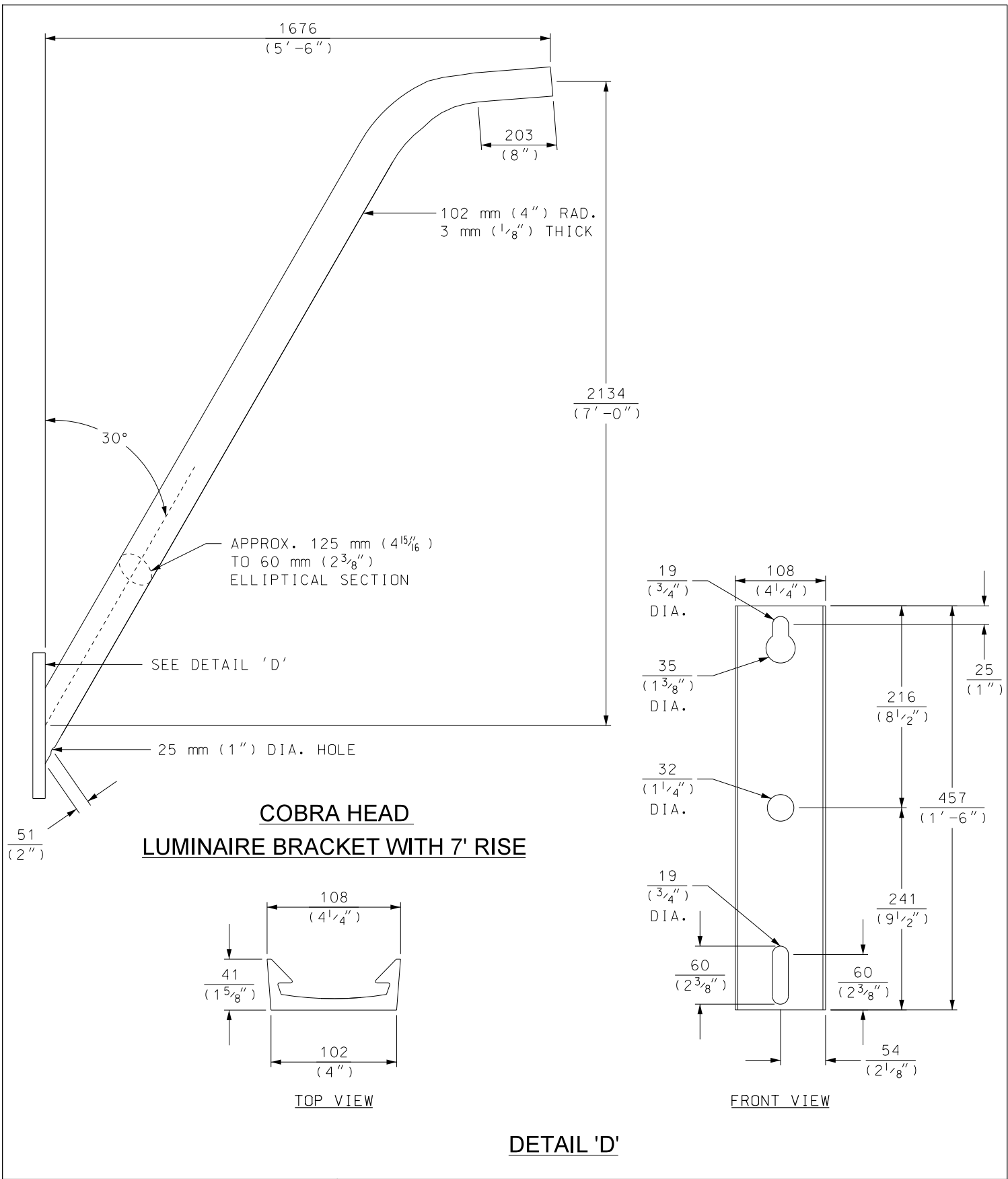
Scale:
N. T. S.

Rev:

0

30-1600

3/4



DISTRIBUTION CONSTRUCTION STANDARD Street Lighting	
Approved By: J.D. 2016-08-29	
Drafted By: B.W.	Designed By: J.D.

STREET LIGHTING BRACKETS				
DETAILS				
Scale: N.T.S.	Rev: 0	30-1600	4/4	